

RE3-ACC-BC2 Two slot battery charger

- 2-slot charger
- Charges RE3-HHT and RE3-BPT containing rechargeable cells
- 3-hour charging time



The BC2 is a 2-sided, 2-slot battery charging station for recharging optional NiMH rechargeable cells while in either the RE3-HHT or RE3-BPT transmitters.

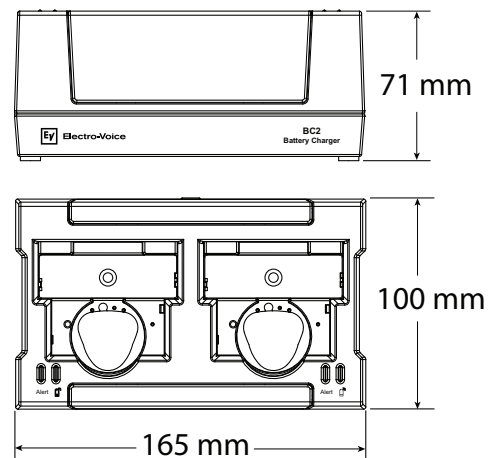
Technical specifications

Input:	DC 12V, 1A
Slots:	2 per side
LED Indicators	
Fully charged/standby:	Solid green
Charging:	Flashing green
Fault:	Flashing red
Charging time:	3 hours (four 2000mAh NiMH rechargeable cells)
Power supply	
Input:	AC 100-240V, 0.5A
Output:	DC 12V, 1A
Color:	Black
Dimensions (length):	6.5" (165 mm)
Dimensions (width):	3.94" (100 mm)
Dimensions (depth):	2.8" (71 mm)

Net weight: 1lb 2 oz. (512 g)

Gross weight: 1lb 4.6 oz. (640 g)

Dimensions:



Licensing and certification declarations:

FCC Supplier's Declaration of Conformity
47 CFR, Section 2.1077 Compliance Information

Product Identifier:
Electro-Voice:
RE3 Wireless Receiver, AASP Active Antenna Splitter, ALPA Active Log
Periodic Antenna, RFAMP Antenna Booster, BC2 Battery Charger

Responsible Party – U.S. Contact Information
Bosch Security Systems, Inc.
130 Perinton Parkway
Fairport, NY 14450
USA
Tel: +1 (585) 223-4060

FCC Compliance Statement
This device complies with Part 15 of the FCC Rules. Operation is subject to the following two conditions: (1) This device may not cause harmful interference, and (2) this device must accept any interference received, including interference that may cause undesired operation.

IC: This Class B digital apparatus complies with Canadian ICES-003. Cet appareil numérique de la classe B est conforme à la norme NMB-003 du Canada. This device complies with Industry Canada license-exempt RSS standard(s). Operation is subject to the following two conditions:

- (1) This device may not cause interference, and
- (2) This device must accept any interference, including interference that may cause undesired operation of the device.

Le présent appareil est conforme aux CNR d'Industrie Canada applicables aux appareils radio exempts de licence. L'exploitation est autorisée aux deux conditions suivantes :

- (1) l'appareil ne doit pas produire de brouillage, et
- (2) l'utilisateur de l'appareil doit accepter tout brouillage radioélectrique subi, même si le brouillage est susceptible d'en compromettre le fonctionnement.

CE and EU: The CE Declaration of Conformity can be obtained and downloaded from:

www.electrovoice.com

This Equipment is in compliance with CE requirements and the following directives:

- 2011/65/EU RoHS Directive
- 2012/19/EU WEEE Directive
- 2014/53/EU RED Directive
- 2014/30/EU EMC Directive
- 2014/35/EU LVD Directive

AU and NZ: This device is in compliance with:

- AS/NZS 61000-3-3
- AS/NZS 61000-3-2
- AS/NZS 61000-6-1
- AS/NZS 61000-6-3

Functions

Each side of the BC2 battery charging station contains slots and contacts for one RE3-HHT and one RE3-BPT transmitter. Only one transmitter can be placed in either side at one time. Any of these combinations will work:

- One RE3-HHT in left side, one RE3-HHT in right side.
- One RE3-BPT in left side, one RE3-BPT in right side.
- One RE3-HHT in left side, one RE3-BPT in right side.
- One RE3-BPT in left side, one RE3-HHT in right side.

Never attempt to place two transmitters into either side at one time.

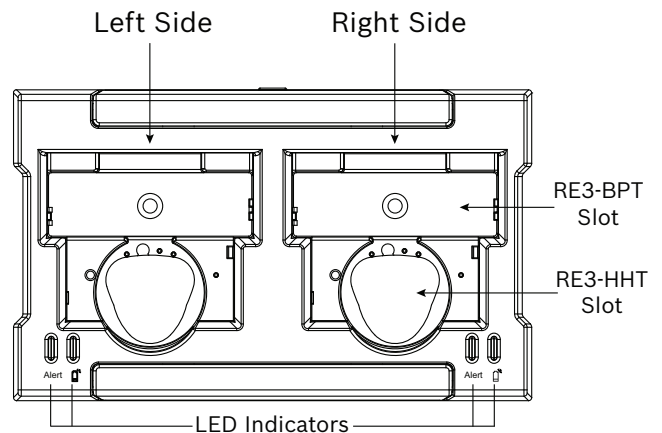
Selecting rechargeable cells:

The BC2 shall only work using optional NiMH rechargeable cells. Choice of rechargeable cells is the user's option, however it is recommended that high-quality 2000 mAh (or higher) cells are chosen for use with RE3 transmitters.

Do not use non-rechargeable cells such as Alkaline, Lithium, Carbon Zinc, or Zinc Chloride cells in RE3 transmitters with the BC2 charger.

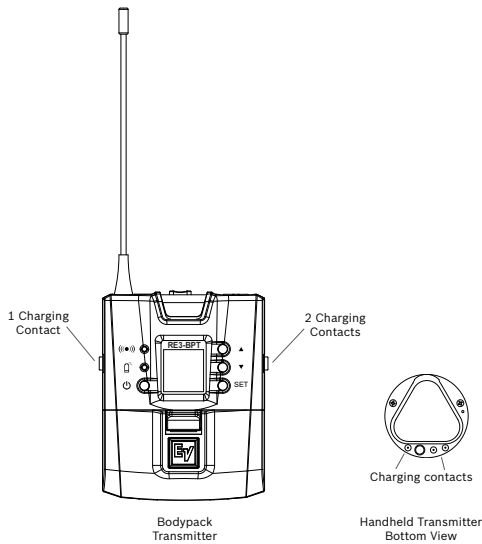
Installation/configuration notes

Product identification:



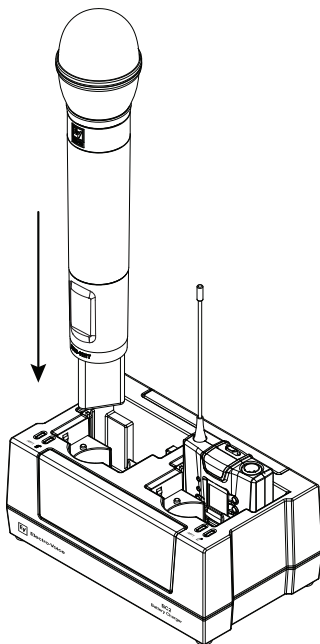
The BC2 contains two sides as shown; left and right. Each side contains a bodypack transmitter slot and a handheld transmitter slot. When properly seated into a slot, the transmitter's charging contacts will be in contact with the charger's pins.

TX charging contacts identification:



Transmitter charging contact locations are as shown. A bodypack transmitter contains three contacts; one on the left side, and two on the right side. These must align with the single and dual contacts of the charger slot. The handheld transmitter contains three charging contacts located toward the tail end of the transmitter; one on the left side, and two on the right as shown. These must align with the single and dual contacts of the charger slot.

Seating transmitters into the charger:



Only one transmitter may be seated into either side at a time; one bodypack, or one handheld, but not both together.

Handheld transmitter: Making sure that only rechargeable cells as described are properly fitted into the transmitter battery chambers, gently insert the handheld transmitter into the slot as shown. The transmitter will rest on the charging contacts.

Bodypack transmitter: Making sure that only rechargeable cells as described are properly fitted into the transmitter battery chambers, insert the insert the bodypack transmitter as shown. Gently press down on the transmitter until it is firmly seated into the slot.

Using the charger:

1. Locate the power supply and attach the supplied AC wall outlet clip by sliding it into the power supply head.
Ensure the AC wall outlet clip is the appropriate one for your country's mains power.
2. Plug the DC power lead end of the cable into the charger DC input jack.
3. Seat one or two transmitters into charger as described.
4. The charging process will begin.
Charge time will vary. Charging four NiMH cells from completely empty to fully charged should take 3 hours.

LED indicators:

Charging:	Flashing green
Fully charged/standby:	Solid green
Fault:	Flashing red

Replacement parts

Order number	Description
ESP-EF01U362338	RE3 receiver power supply with AC clips

Parts included

Quantity	Component
1	Battery charging station
1	External power supply
1	Safety booklet
1	Engineering datasheet
1	Warranty and product documentation information card

Ordering information

RE3-ACC-BC2 Two slot battery charger

Two slot battery charger for RE3-BPT and RE3-HHT transmitters, black

Order number **RE3-ACC-BC2**

4 | RE3-ACC-BC2 Two slot battery charger

Represented by:

Germany:

Bosch Sicherheitssysteme GmbH
Robert-Bosch-Ring 5
85630 Grasbrunn
Germany

Bosch Security Systems, Inc.
12000 Portland Avenue South
Burnsville MN 55337
USA

www.electrovoice.com